

CL35



DUMPING HEIGHT

7'9"

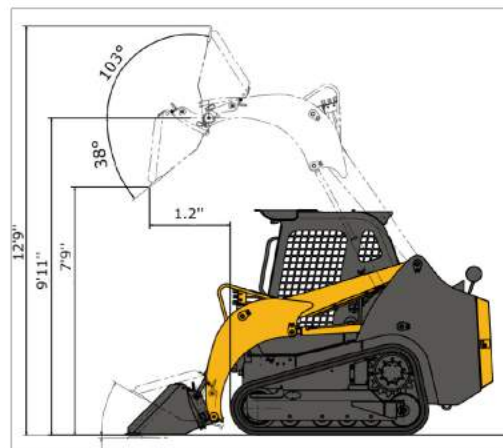
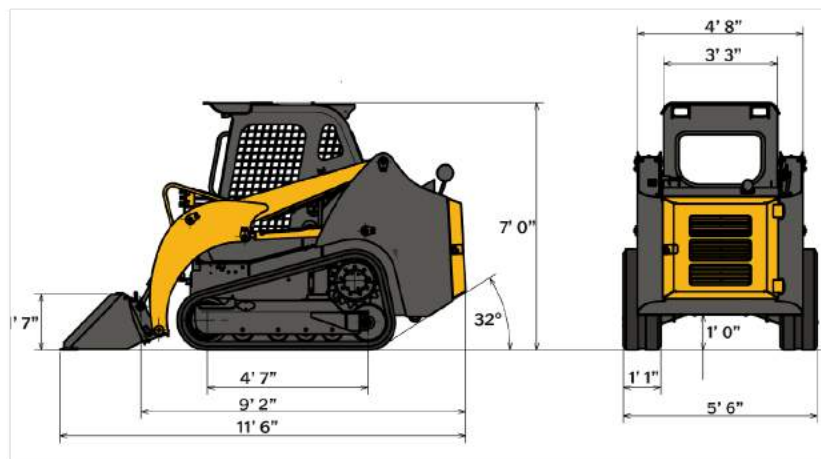
OUTPUT RATING

62HP

OPERATING WEIGHT

7,804.4 LBS

KATO



CL35

Working Ranges

		Working Ranges
A.	Max Operating Height	12'9"
B.	Max Hinge-pin Height	9'11"
C.	Max Dumping Height	7'9"
D.	Max Reach - Raised	1.2"

CL3

CL35

Performance	
Heaped Bucket Capacity	12.7 ft ³
Bucket Width	5' 8"
Operating Weight (Canopy/Cab)	7,804.4 lbs / 7,936.6 lbs
Transport Weight (Canopy/Cab)	7,639.0 lbs / 7,771.3 lbs
Gradeability	30°
Travel Speed (High/Low)	4.2 mph / 6.2 mph
Tipping Capacity	4,916.3 lbs
Rated Capacity (35% Tip)	1720.7 lbs
Operating Capacity (50% Tip)	2458.2 lbs
Ground Pressure (Canopy/Cab)	5.62 psi / 5.71 psi
Bucket Digging Force	6,474 lbs.
Engine	
Model	KUBOTA V2403-CR
Output Rating	62 hp / 2,700rpm
Fuel Tank Capacity	24 gallons
Battery	12V
Fuel Consumption	1.26 gal/hr
Hydraulic System	
System Pressure	2,987.8 psi
Hydraulic Tank Capacity	10.6 gal
Aux. Hydraulic Flow	17 gpm

KATO

EXCAVATORS AND TRACK LOADERS

www.isequipmentkc.com

16400 East Kentucky Rd
Independence, Mo 64058
(816) 429-1600