



**DUMPING HEIGHT**

6'8"

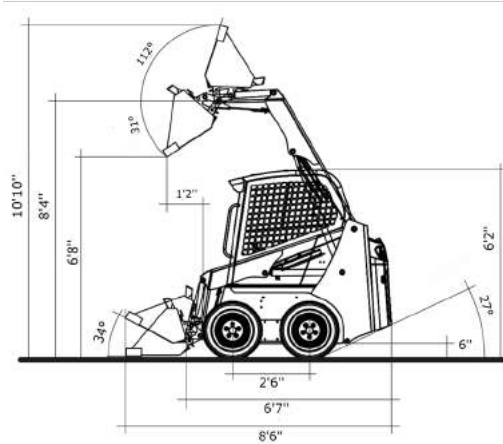
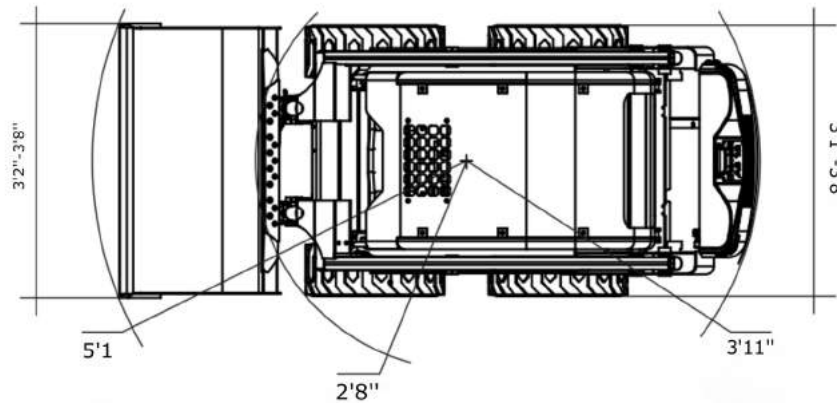
**OUTPUT RATING**

21 HP

**OPERATING WEIGHT**

2,955 LBS

**KATO**



<b>AS12</b>		Working Ranges
<b>A.</b>	Operating Height - Fully Raised	10'10"
<b>B.</b>	Height to Hinge Pin-Fully Raised	8'4"
<b>C.</b>	Dumping Height	6'8"
<b>D.</b>	Wheel Base Length	13'9"
<b>E.</b>	Total Length	8'6"
<b>F.</b>	Minimal Ground Clearance	6"

# AS1

## AS12

<b>MODEL</b>	<b>AS12</b>
<b>PERFORMANCE</b>	
Operating weight	2,955 lbs.
Transportation weight	2,778 lbs.
SAE load capacity 35%	728 lbs.
Tipping load 50%	1,455 lbs.
Bucket Breakout Force	1,658 lbs.
Maximum travel speed	0-4.35 mph
<b>ENGINE</b>	
Manufacturer	Yanmar
Engine	3TNV76
Rated output	21 hp/2,500 rpm
Battery	12 V
Fuel consumption	1.26 gal/hr
Cooling system	water cooled
Fuel tank capacity	2.2 gallons
<b>HYDRAULIC SYSTEM</b>	
Hydraulic pressure	2,610 psi
Auxiliary Flow	7.4 gpm
<b>STD BUCKET WIDTH/CAPACITY</b>	
Standard bucket	13.06 cu/ft
<b>REFILLING</b>	
Cooling system	1 gallon
Fuel tank	5.3 gallons

**KATO**  
**EXCAVATORS AND TRACK LOADERS**

[www.isequipmentkc.com](http://www.isequipmentkc.com)  
 16400 East Kentucky Rd  
 Independence, Mo 64058  
 (816) 429-1600