

HD55N4



DIGGING DEPTH

12'8"

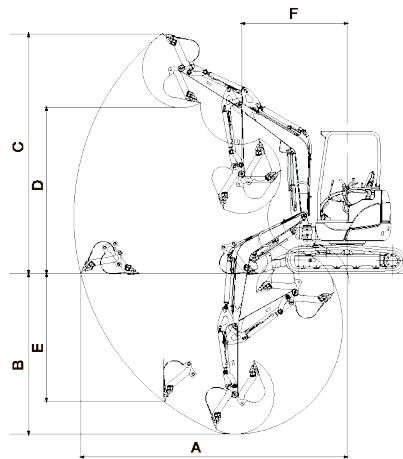
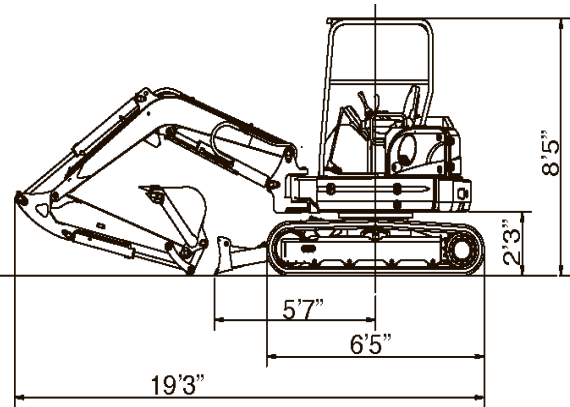
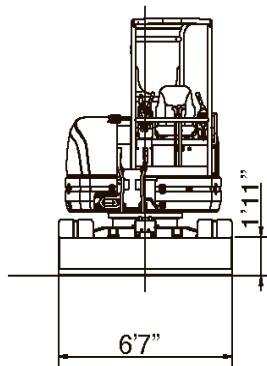
OUTPUT RATING

54.7HP

OPERATING WEIGHT

12,733 lbs

KATO



HD55N4		Working Ranges
A.	Maximum Digging Radius	20'
B.	Maximum Digging Depth	12'8"
C.	Maximum Digging Height	18'10"
D.	Maximum Dumping Height	12'10"
E.	Maximum Vertical Digging Depth	9'8"
F.	Minimum Front Turning Radius	7'3"
	At Right Boom Swing	5'10"

HD HD55N4

MODEL	HD55N4
PERFORMANCE	
Operating weight	12,447 lbs (12,733 lbs)
Transportation weight	11,795 lbs (11,955 lbs)
Bucket Capacity	4.6 cu.ft
Bucket Weight	24"
Swing Speed	9.0 rpm
Travel Speed (low/high)	1.6-2.8 mph
Ground Pressure	4.5 psi
Max Bucket Digging Force	11,071 lbs
ENGINE	
Rated output	54.7hp/2400 rpm
Fuel tank capacity	19.8 gallons
BOOM SWING SYSTEM	
Type	Boom Offset with Hydraulic Cylinder
Swing Angle (L / R)	50° / 90°
HYDRAULIC SYSTEM	
Pressure	2,987 psi
Pump* Type/ Hydraulic Flow	2 Piston/2 Gear • 17.1 gpm
1st line	29.7 gpm
DOZER BLADE	
Size	14.5"
Lift Above ground / Drop Below Ground	15" / 15"



www.isequipmentkc.com

16400 East Kentucky Rd
Independence, Mo 64058
(816) 429-1600