



DIGGING DEPTH

10'11"

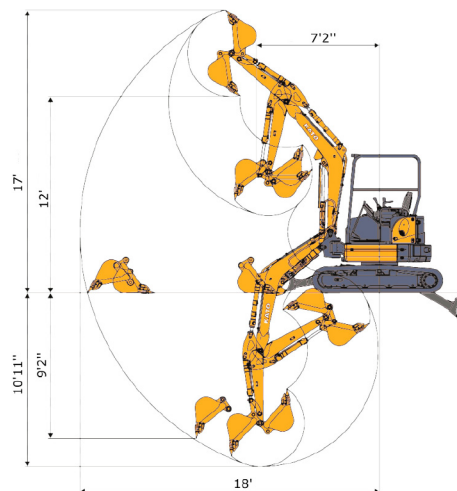
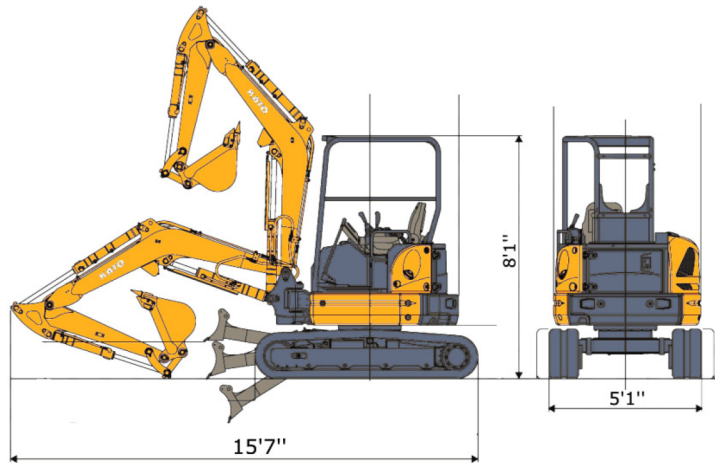
OUTPUT RATING

23HP

OPERATING WEIGHT

8,082 LBS

KATO



35V5

Working Ranges

		Working Ranges
A.	Max Digging Radius	18'
B.	Max Digging Depth	10'11"
C.	Max Vertical Dig Depth	9'2"
D.	Max Dumping Height	12'
E.	Max Digging Height	17'
F.	Min. Front-turn Radius	7'2"
G.	at Right Boom Swing	6'3"



Performance

Bucket Capacity	3.5 ft ³
Bucket Width	24"
Operating Weight	8,082 lbs.
Transport Weight	7,606 lbs.
Swing Speed	9 rpm
Travel Speed (Low/ High)	1.7 / 2.9 mph
Gradeability	30°
Ground Pressure	4.4 psi
Bucket Digging Force	7,688 lbs.

Engine

Model	YANMAR 3TNV88F
Output Rating	23 hp @ 2200 rpm
Fuel Tank Capacity	11 gal.

Boom Swing System

Type	Offset Boom w/ Hydraulic Cyl.
Swing Angle (L / R)	50° / 80°

Hydraulic System

Total Hydraulic System Flow	25 gpm
Max Auxiliary Hydraulic Flow	16 gpm

Dozer Blade

Size	1' 3" x 5' 1"
Lift Above / Drop Below Ground	1' 3" / 1' 6"

HD
HD35V5



KATO

EXCAVATORS AND TRACK LOADERS

www.isequipmentkc.com

16400 East Kentucky Rd
Independence, Mo 64058
(816) 429-1600