



DIGGING DEPTH

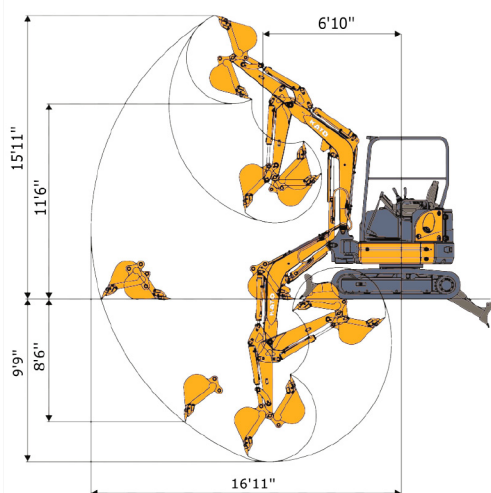
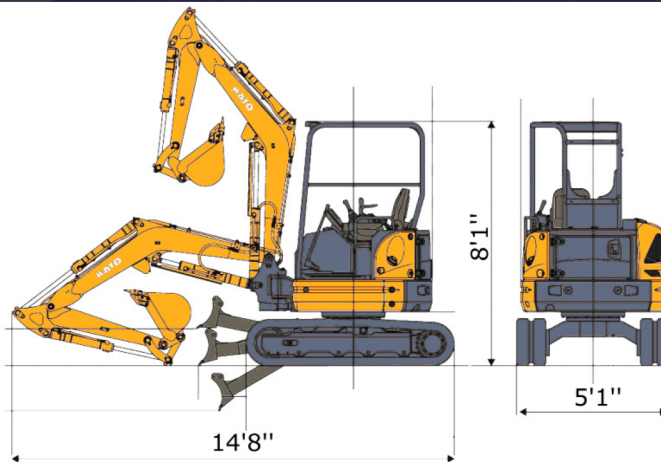
9'9"

OUTPUT RATING

23HP

OPERATING WEIGHT

7,084 LBS



30V5

Working Ranges

		Working Ranges
A.	Max Digging Radius	16'11"
B.	Max Digging Depth	9'9"
C.	Max Vertical Dig Depth	8'6"
D.	Max Dumping Height	11'6"
E.	Max Digging Height	15'11"
F.	Min. Front-turn Radius	6'10"
G.	at Right Boom Swing	6'



Performance

Bucket Capacity	3.2 ft ³
Bucket Width	18"
Operating Weight	7,084 lbs.
Transport Weight	6,658 lbs.
Swing Speed	9 rpm
Travel Speed (Low/ High)	1.7 / 2.9 mph
Gradeability	30°
Ground Pressure	4.1 psi
Bucket Digging Force	6,548 lbs.

Engine

Model	YANMAR 3TNV88F
Output Rating	23 hp @ 2200 rpm
Fuel Tank Capacity	11 gal.

Boom Swing System

Type	Offset Boom w/ Hydraulic Cyl.
Swing Angle (L / R)	50° / 80°

Hydraulic System

Total Hydraulic System Flow	25 gpm
Max Auxiliary Hydraulic Flow	15 gpm

Dozer Blade

Size	1' 3" x 5' 1"
Lift Above / Drop Below Ground	1' 3" / 1' 6"

HD
HD30V5



KATO

EXCAVATORS AND TRACK LOADERS

www.isequipmentkc.com

1600 East Kentucky Rd
Independence, Mo 64058
(816) 429-1600