



DIGGING DEPTH

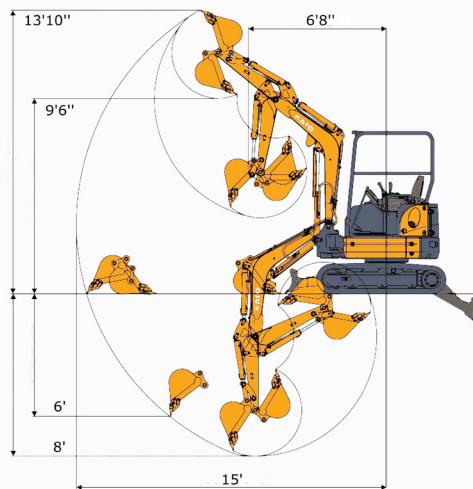
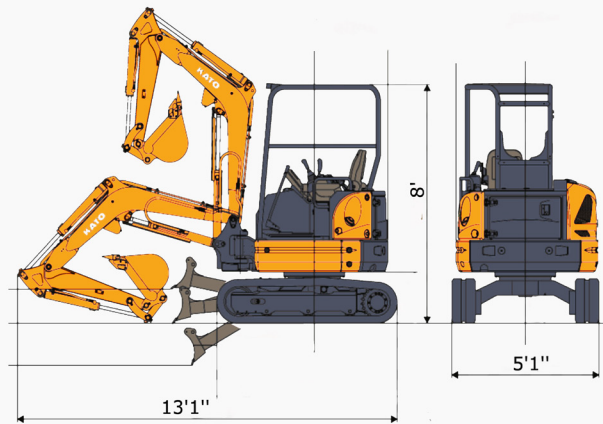
8'

OUTPUT RATING

23.6HP

OPERATING WEIGHT

5,919 LBS



25V5

Working Ranges

		Working Ranges
A.	Max Digging Radius	15'
B.	Max Digging Depth	8'
C.	Max Vertical Dig Depth	6'
D.	Max Dumping Height	9'6"
E.	Max Digging Height	13'10"
F.	Min. Front-turn Radius	6'8"
G.	at Right Boom Swing	5'9"

KATO



Performance

Bucket Capacity	2.8 ft ³
Bucket Width	18"
Operating Weight	5,919 lbs.
Transport Weight	5,512 lbs.
Swing Speed	9 rpm
Travel Speed (Low/ High)	1.5 mph / 2.7 mph
Gradeability	30°
Ground Pressure	4.5 psi
Bucket Digging Force	4,721 lbs.

Engine

Model	Kubota D1305-E4B
Output Rating	23.6 hp / 2,400rpm
Fuel Tank Capacity	11 gallons

Boom Swing System

Type	Offset Boom w/ Hydraulic Cyl.
Swing Angle (L / R)	50° / 80°

Hydraulic System

Total Hydraulic System Flow	20 gpm
Max Auxiliary Hydraulic Flow	11 gpm

Dozer Blade

Size	5' 1" x 1' 3"
Lift Above / Drop Below Ground	1' 2" / 1' 5"

HD
HD25V5



KATO

EXCAVATORS AND TRACK LOADERS

www.isequipmentkc.com

16400 East Kentucky Rd
Independence, Mo 64058
(816) 429-1600